

Repeater Cum Simplex/ Duplex Phone Patch Interface

RTI-2050S with Selective Calling



INTRODUCTION

A Simplex/Duplex Phone patch controller unit is a versatile interface unit between a wireless transceiver and telephone line of your EPABX. It gives the feelings of RADIO EPABX.

The unit is designed for the users of (VHF/UHF) like you, and is intended to enable you to make a wireless call right from your nearest telephone extension without you actually moving physically to wireless set. With help of DTMF encoder on your mobile or portables you can dial any telephone number on your EPABX and other portable. With the addition of interconnect, your communication network becomes very much flexible and multidimensional.

EASY INSTALLATION

The unit is easy to install and is compatible with all popular brand of VHF/UHF wireless. Easy installation saves time as well as costs.

TONE/PULSE DIALING

The systems can be made to dial in either of tone or pulse.

AUTOMATIC CALL FORWARD

If the base station is unattended, incoming calls can be automatically transferred to mobiles or

Other Features :-

- User Programmable toll restrictions with allow and deny table
- Selectable number of rings to answer, Mobile activity timer, Courtesy beep
- Half Duplex or Simplex operation, User Programmable CW ID
- Programmable TONE / PULSE dialing, Adjustable busy tone locking
- Adjustable VOX operation, Adjustable modulation level

portables in the field and constant communication is maintained. The ring out setting lets you decide whether the call should be transferred on the first or other no. of rings. The system is smart enough to detect the busy tone and disconnect the line.

LINE IMPEDENCE

Unit automatically balances the line impedance. No manual adjustments are required to maintain clear, consistent volume levels during communication.

HIGHLY RELIABLE OPERATION

The use of sophisticated digital microprocessor technology and use of high grade industrial/commercial component makes the unit highly reliable. That means your system will continue to work for you minimal repair cost.

REPEATER MODE

Interconnect can be programmed to act as a repeater controller during idling time.

USER FRIENDLINESS

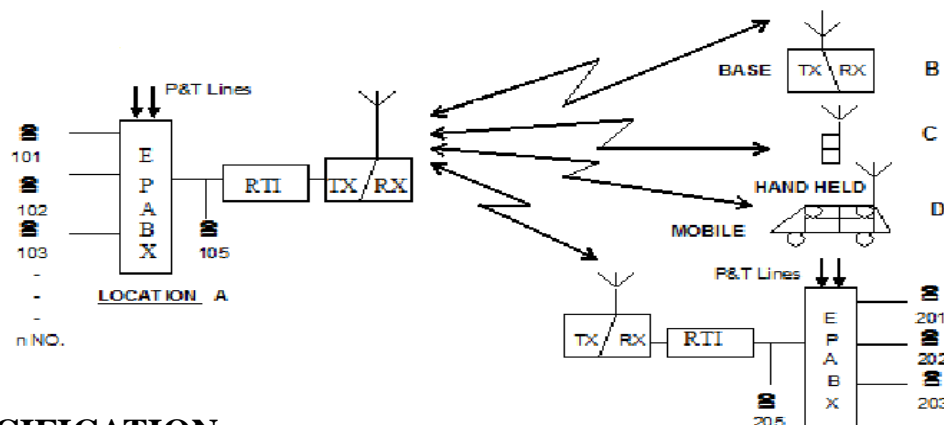
The system is very user friendly and no in-depth knowledge is required for its usage

- Five LED's on front panel shows the status of the system
- Patch switch for connect or disconnect the link by operator
- Repeat audio, Regenerated DTMF, Half privacy mode
- Local and over the air programming, Internal and external COR

APPLICATIONS

- Any telephone at location A can be talk to any wireless Transceiver at B, C, or D in the wireless network or vice versa.
- Any telephone extension at location A can talk to any desired telephone extension /direct telephone subscriber at location E using radio link.
- A remote location like B where telephone facility is not available can have access to any telephone subscriber in the mainland at A

A TYPICAL RADIO NETWORK USING RTI



SPECIFICATION :

INPUT VOLTAGE	10.5 V TO 13.6 V DC
INPUT CURRENT	LESS THAN 500MA
TELEPHONE LINE CONNECTOR	MODULAR PLUG
TELEPHONE LINE	TWO WIRE LINE
WEIGHT	APP. 1.6 KG
OPERATION TEMPERATURE	-10 TO +55 Degree Celsius
AUDIO FREQUENCY RESPONSE	300 – 3000 Hz FROM 1 KHz REF
AUDIO DESTORTION	3% MAXIMUM
HUMIDITY	90% NON-CONDENSING

BENEFITS :

- Make wireless communication less “ physical “ and more user friendly.
- Provide “ virtual “ telephone connection to remote location where telephone lines are inaccessible .
- Establishes the vital communication link between you at your office and the person at site or on the move.
- Since wireless is independent of the vagaries of nature of human intervention, the link is more reliable than traditional methods of EPABX connectivity by overhead or underground cables.

**TECHNICAL SPECIFICATIONS ARE SUBJECT TO CHANGE
WITHOUT OBLIGATION OR NOTICE**



PULSE COMMUNICATION SYSTEMS PVT. LTD.

F-90/22 OKHLA PHASE 1, NEW DELHI-110020

Mob: +91 9891393876, Tel: +91 11 26817139, Fax: +91 11 26817138

Email: pulsite@rediffmail.com Website: www.pulsecom.co.in SkypeId: [rajkmadan](#)